

Worldwide Oilfield Machine

# Magnum Pump Saver

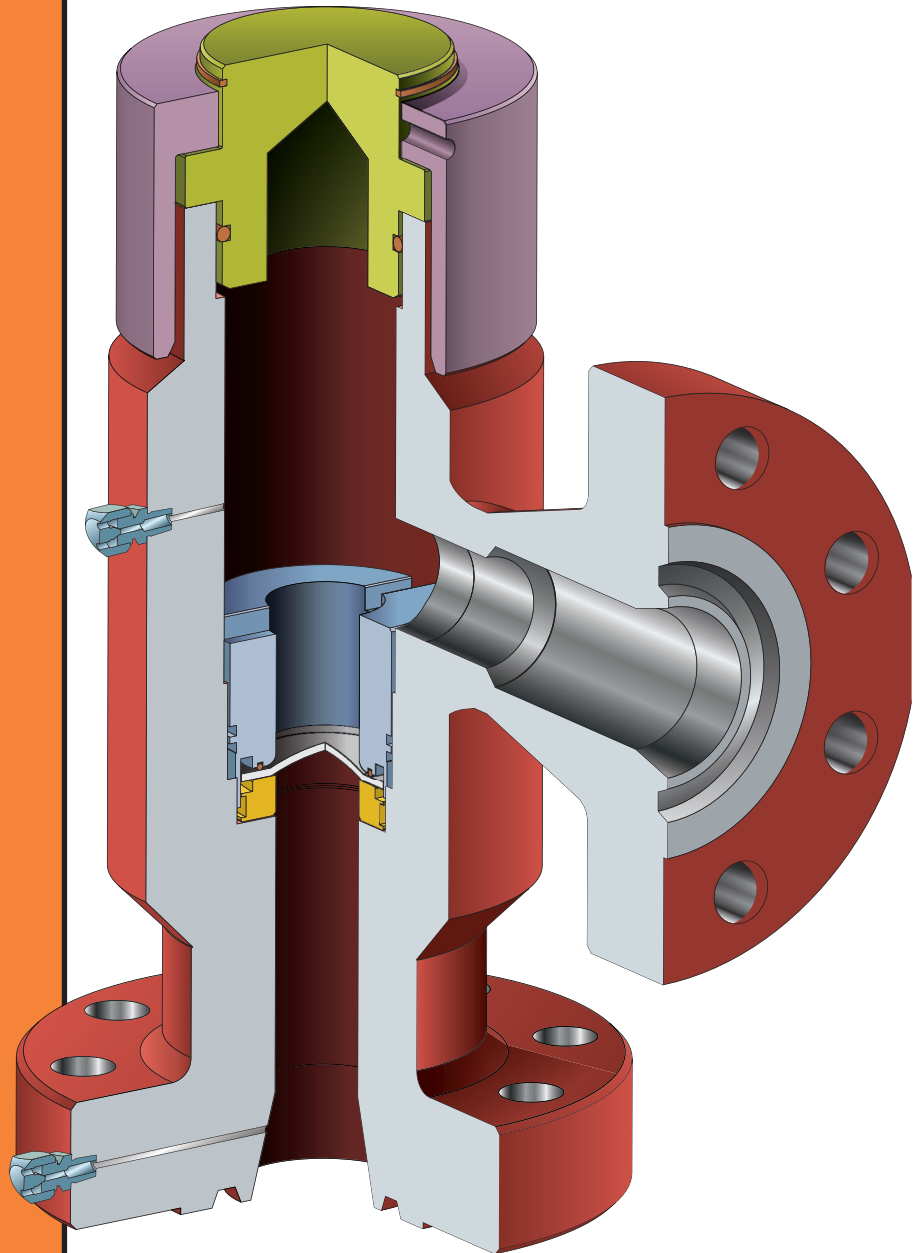


WORLDWIDE OILFIELD MACHINE  
Est. 1980



Invention,  
Unique Design &  
Extraordinary  
Craftsmanship

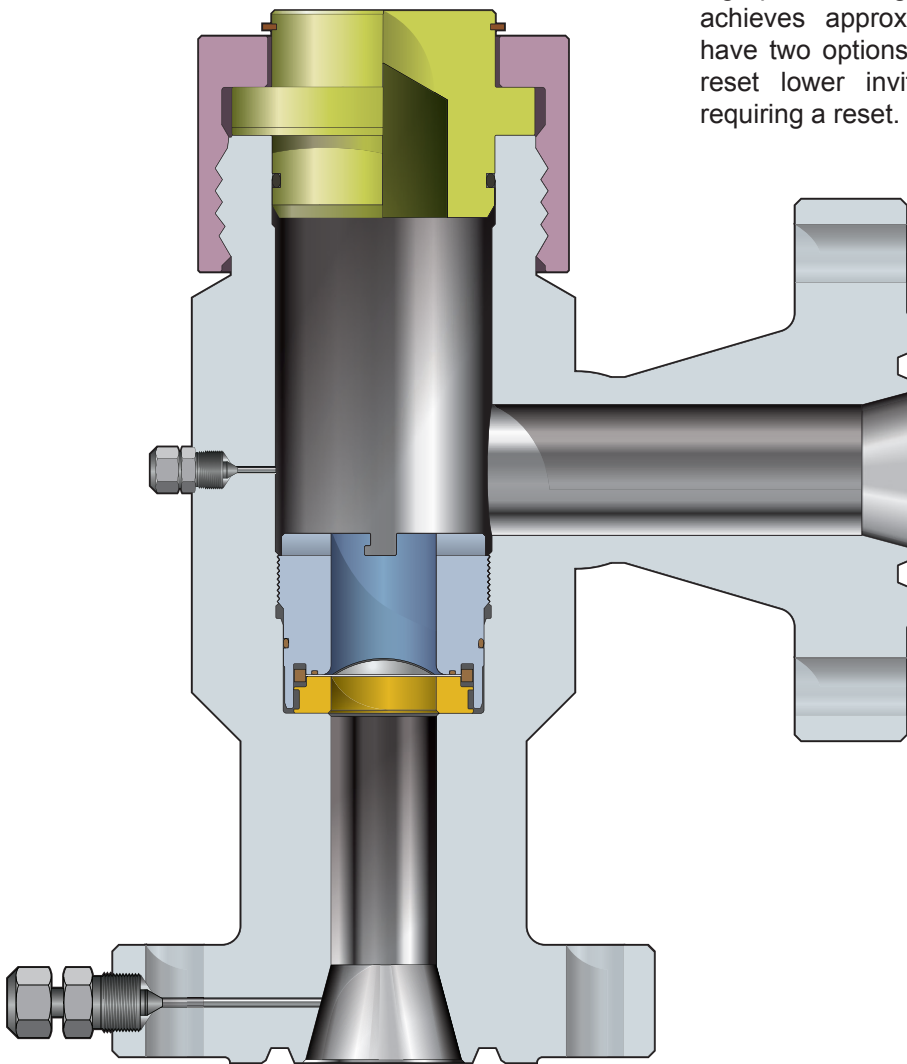
- Subsea Intervention Systems
- Custom Design & Manufacture
- Wellheads & Christmas Trees
- Magnum Gate Valves
- Blow Out Preventers
- Manifold Systems
- Ball Valves
- Well Test Products



*With the Magnum Pump Saver, you can depend on a consistent +/- 5% repeatability up to 3,500 psi and a remarkably precise +/-3% repeatability over 3,500 psi.*

## Save Rig Pumps Eliminate Guesswork

When seeking new ways to protect expensive rig equipment, repeatability is the key. All rig systems use pop-off valves to protect the pump from over pressurization. When the conventional pop-off valve trips a rig pump, treating line, pressure vessel or any other high pressure high-flow environment, their spring relief valve design achieves approximately 10% repeatability. To compensate you have two options: reset the valve higher, risking pump damage or reset lower inviting frequent false over-pressure events each requiring a reset.



With the Magnum Pump Saver, you can depend on a consistent +/- 5% repeatability up to 3,500 psi and a remarkably precise +/- 3% repeatability over 3,500 psi. This amazing accuracy is the result of an easy to install rupture disk design. With no springs or wearing parts the WOM Pump Saver is the last relief valve you will ever buy!

Resetting the Magnum Pump Saver is fast and simple. No specialized tools are required. Simply remove the quick make-up cap assembly, insert a new rupture disk and your' back in business. A new rupture disk restores the valve to its' original specifications.

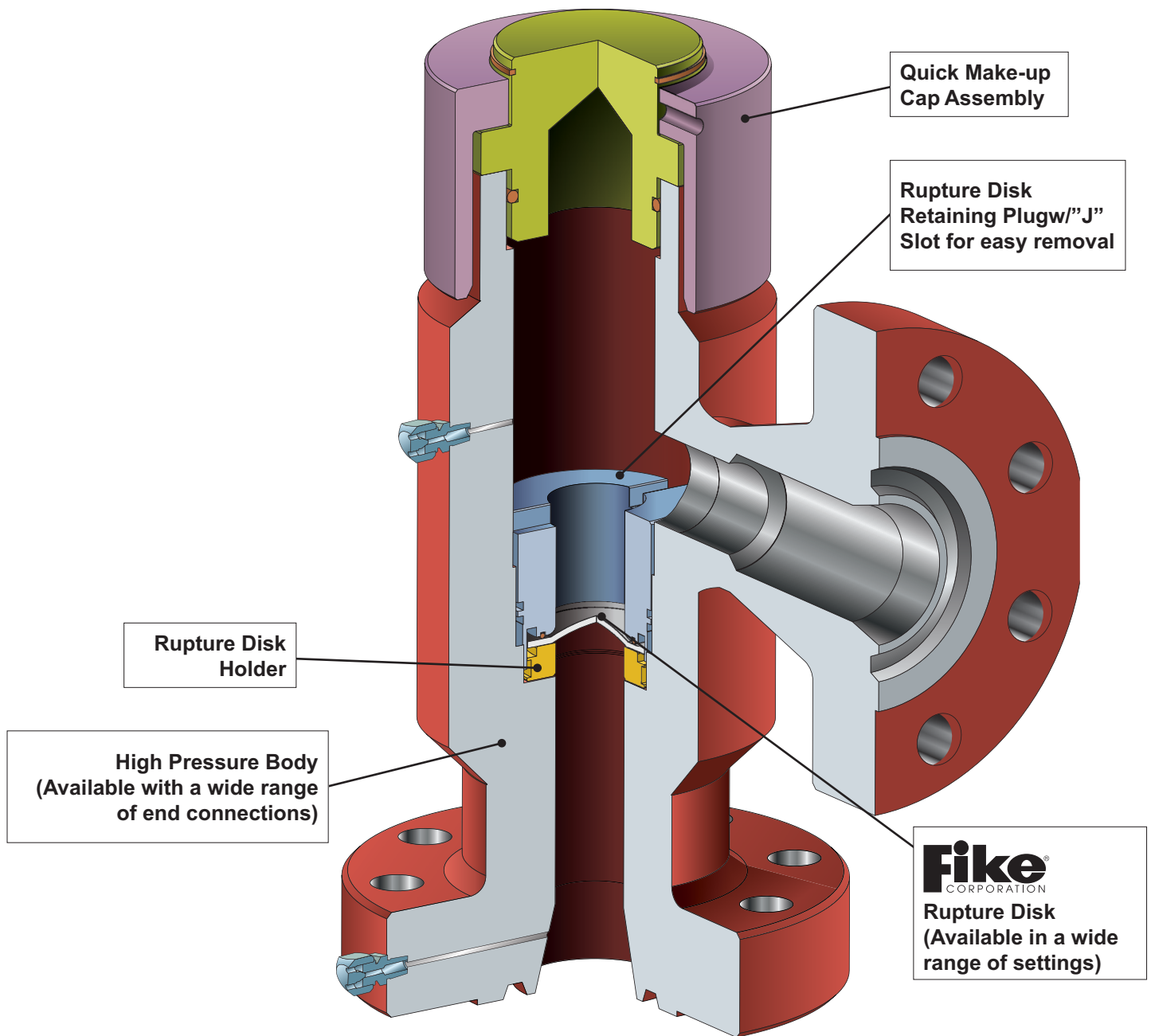


WORLDWIDE OILFIELD MACHINE



WORLDWIDE OILFIELD MACHINE

# Magnum Pump Saver



## Tough, Practical Design Advantages

- ◆ Available up to 10,000 psi
- ◆ 4 Times More Accurate than Pop/Relief Valves!
- ◆ Manufactured from quality high pressure forged materials
- ◆ Available in a wide choice of end connections
- ◆ Trimmed to handle H<sub>2</sub>S and salt water contents



# Contact Us



**Worldwide Oilfield Machine, Inc.  
Headquarters/ U.S.A**  
11809 Canemont Street  
Houston, Texas 77035 USA  
Phone: +1 (713) 729-9200  
Fax: +1 (713) 729-7321



**Worldwide Oilfield Machine, Inc.**  
5800 Cunningham  
Houston, Texas 77041 USA  
Phone: +1 (713) 937-0795  
Fax: +1 (713) 937-8574



**Worldwide Oilfield Machine, Inc.**  
11625 Fairmont St.  
Houston, Texas 77035 USA  
Phone: +1 (713) 721-5200  
Fax: +1 (713) 721-5205



**Worldwide Oilfield Machine, Inc.**  
11400 Tanner Rd.  
Houston, Texas 77041 USA  
Phone: +1 (713)-937-8323  
Fax: +1 (713) 937-8574



**Worldwide Oilfield Machine Ltd. - UK**  
7 St Machar Road  
Aberdeen  
AB24 2UU  
Scotland, UK  
Phone: +44 (01224) 484400  
Fax: +44 (01224) 489740



**Worldwide Oilfield Machine Pvt. Ltd - India**  
Gat No. 778, at Post Velu  
Pune Satara Rd.  
Tal. Bhor, Dist. Pune 412 205. India  
Phone 1: +91-8308210300  
Phone 2: +91-8308215300



**Magna Casting & Machine Works**  
Gat No. 777, at Post Velu  
Pune Satara Rd.  
Tal. Bhor, Dist. Pune 412 205. India  
Phone 1: +91-8308210300  
Phone 2: +91-8308215300



**Magnum Forge & Machine Works**  
Gat No. 777, at Post Velu  
Pune Satara Rd.  
Tal. Bhor, Dist. Pune 412 205. India  
Phone 1: +91-8308210300  
Phone 2: +91-8308215300



**Worldwide Oilfield Machine, Inc.- Turkmenistan**  
Yimpash Business Centre  
Turkmenbashi Shayoly 54  
Office #308 3rd Floor  
Ashgabat –Turkmenistan 744000  
Phone 1: +99-365 820130  
Phone 2: +99-365 309757



**Worldwide Oilfield Machine, M.E. - U.A.E**  
Jebel Ali Free Zone (JAFZA) South,  
Plot# S61302, Near Gate#12,  
P.O. Box: 32478  
Dubai (UAE)  
Phone: (971-4) 81 63 600  
Fax: (971-4) 81 63 601



**Magnum Technology Center**  
Jebel Ali Free Zone (JAFZA) South,  
Plot# S61302, Near Gate#12,  
P.O. Box: 32478  
Dubai (UAE)  
Phone: (971-4) 81 63 600  
Fax: (971-4) 81 63 601



**PT Worldwide Oilfield Machine - Indonesia**  
#11-08 One Pacific Place  
Sudirman Central Business District  
Jl. Jenderal Sudirman Kav. 52-53,  
Jakarta 12190  
Phone: + 1-832-372-0674



**Worldwide Oilfield Machine Asia Pacific-Singapore**  
17 Gul Way  
Singapore 629194  
Phone: +65 6690 1700  
Fax: +65 6558 7562



**Worldwide Oilfield Machine- Korea**  
#1012, 481-10, Byucksan Digital Vally-II,  
Gasandong, GumchonGu  
Seoul, Korea 153-803  
Phone: +82-2-854-6806



**WORLDWIDE OILFIELD MACHINE**  
Est. 1980